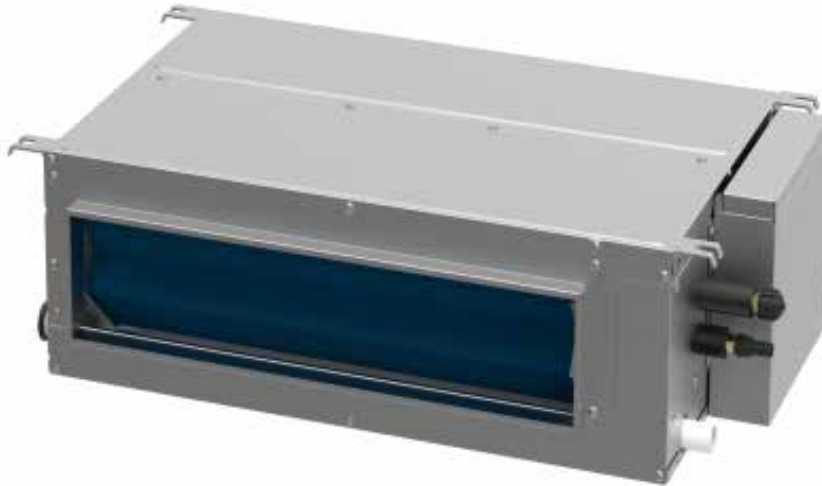


GMV-ND24PLS/B1-T(U)

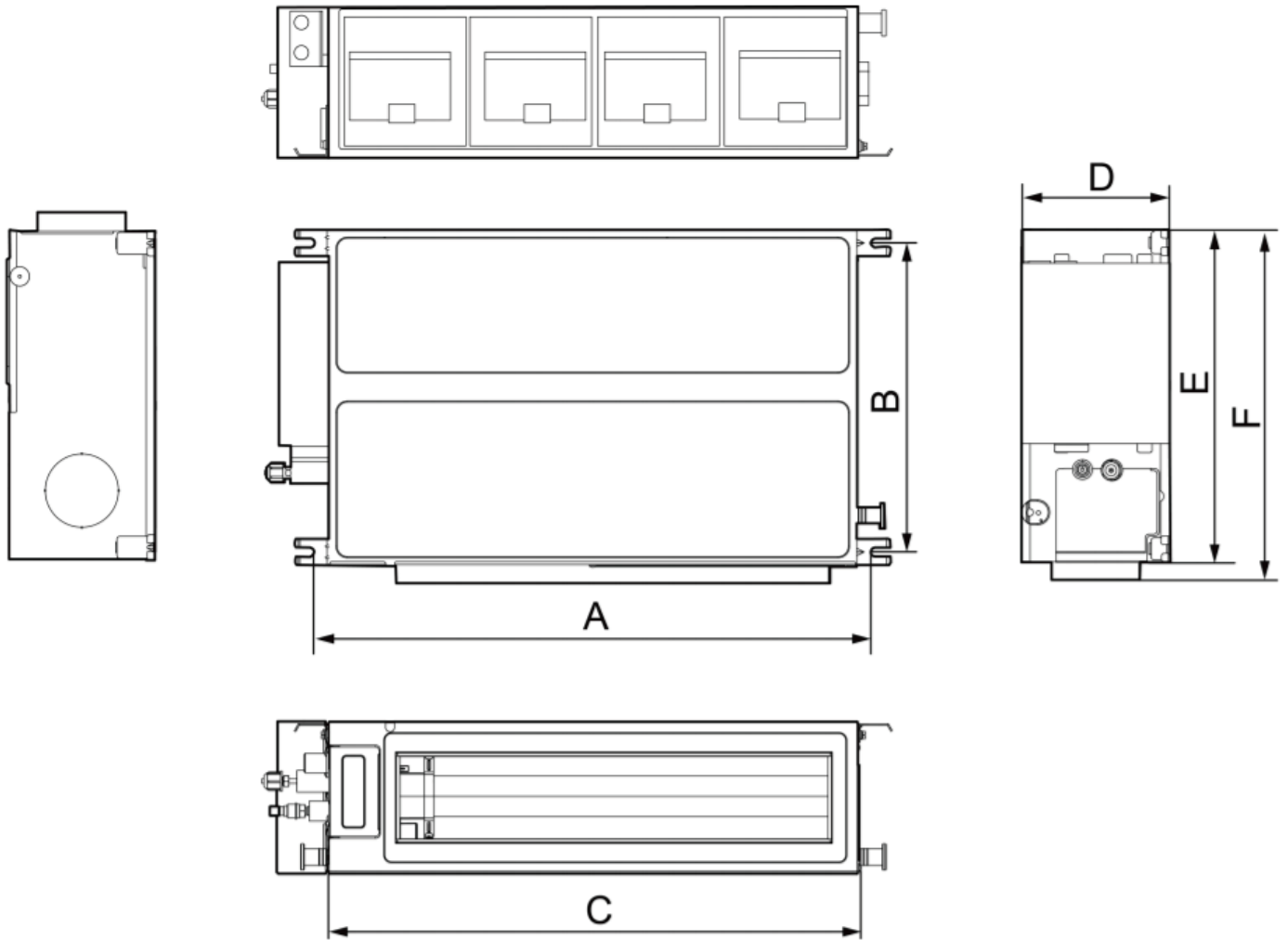
Model: GMV-ND24PLS/B1-T(U)



Specification	Unit	Parameter
Model	—	GMV-ND24PLS/B1-T(U)
Performance		
Rated cooling capacity	kBtu/h	24
Rated heating capacity	kBtu/h	27
Sound pressure level	dB (A)	30/32/37
Electric data		
Power supply	V Phase Hertz	208/230-1-60
Maximum Overcurrent Protection (MOP)	A	15
Minimum Circuit Amps(MCP)	A	1
Fan		
Air Flow Volume	CFM	382/500/647
ESP	In.W.G	0.06/0~0.12
Fan Motor Rnning Current	A	0.8
Fan Motor Power Output	W	30
Refrigerant Pipe		
Connection pipe	Gas(mm/inch)	Φ15.9/5/8
	liquid(mm/inch)	Φ9.52/3/8
Connection Method	—	Flare connection
Refrigerant	—	R410A
Dimension/Weight		
Dimension(HxWxD)	mm/inch	1310x462x200 51-5/8x18-2/8x7-7/8
Net Weight	kg/lbs	31/68.3
Other		
Safety Certification	—	ETL

Job Name:		Date:	
System Reference No.:			
Engineer Signature:			

Outline and Physical Dimensions of GMV-ND24PLS/B1-T(U).

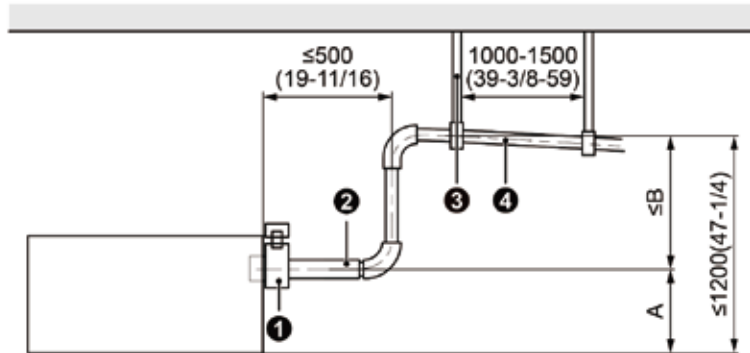


Unit: mm(inch)

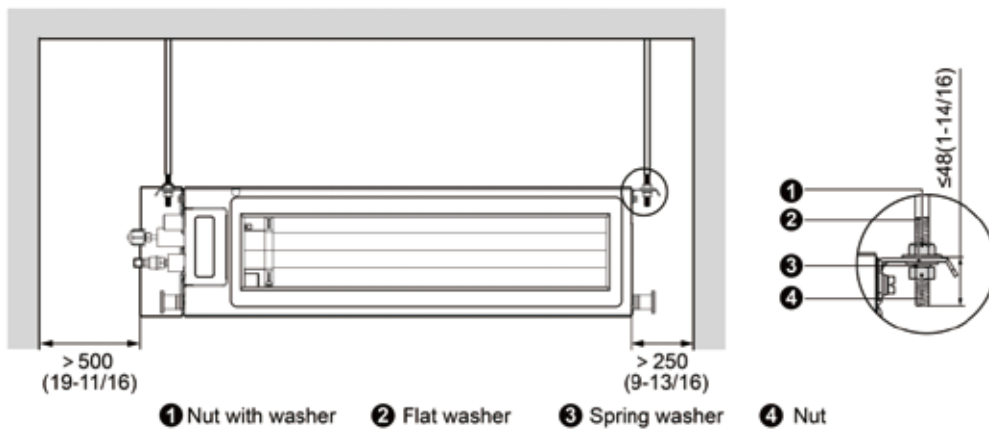
Item Model	A	B	C	D	E	F
GMV-ND24PLS/B1-T(U)	1360 (53-1/2)	415 (16-3/8)	1310 (51-9/16)	200 (7-14/16)	462 (18-3/16)	486 (19-2/16)



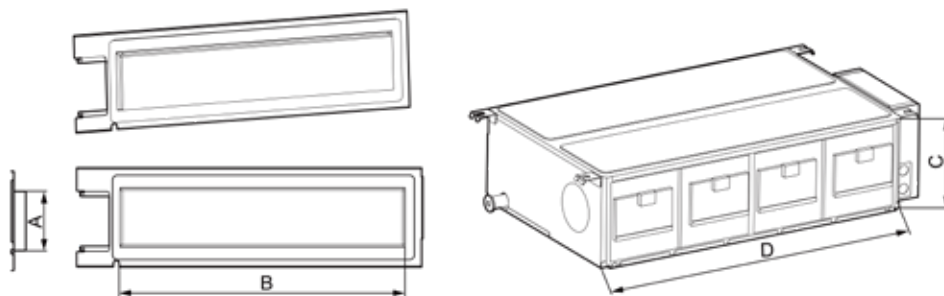
Unit: mm(in.)



- ① Metal clamp
- ② Drain hose (bending is not allowed)
- ③ Hanger bracket
- ④ Drainage pipe



- ① Nut with washer
- ② Flat washer
- ③ Spring washer
- ④ Nut



Model \ Item	Dimension of air outlet flange		Dimension of air return	
	A (mm/in.)	B (mm/in.)	C (mm/in.)	D (mm/in.)
GMV-ND24PLS/B1-T(U)	122(4-3/4)	1185(46-10/16)	200(7-14/16)	1310(51-10/16)

