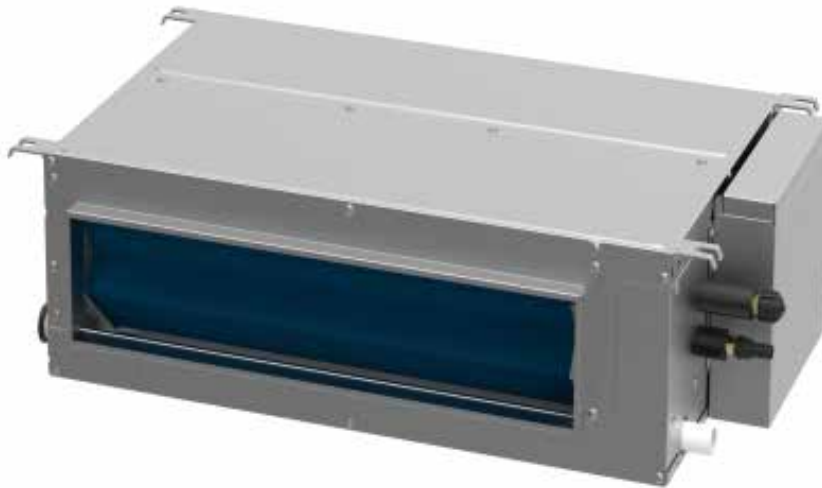


## GMV-ND12PLS/B1-T(U)

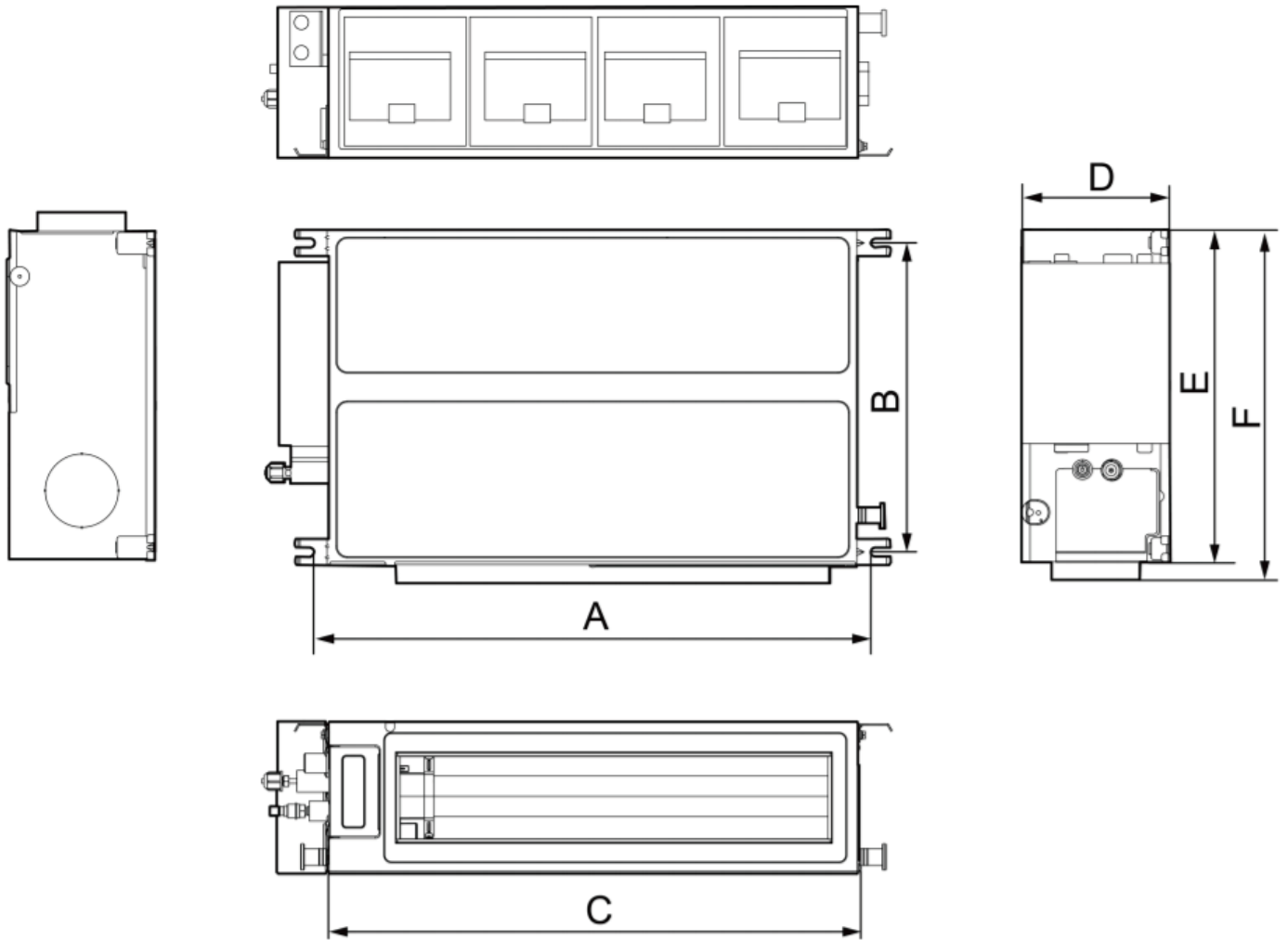
### Model: GMV-ND12PLS/B1-T(U)



Specification	Unit	Parameter
Model	—	GMV-ND12PLS/B1-T(U)
<b>Performance</b>		
Rated cooling capacity	kBtu/h	12
Rated heating capacity	kBtu/h	13.5
Sound pressure level	dB ( A )	25/27/31
<b>Electric data</b>		
Power supply	V Phase Hertz	208/230-1-60
Maximum Overcurrent Protection ( MOP )	A	15
Minimum Circuit Amps(MCP)	A	1
<b>Fan</b>		
Air Flow Volume	CFM	177/235/324
ESP	In.W.G	0.06/0~0.12
Fan Motor Rnning Current	A	0.8
Fan Motor Power Output	W	30
<b>Refrigerant Pipe</b>		
Connection pipe	Gas(mm/inch)	Φ12.7/1/2
	liquid(mm/inch)	Φ6.35/1/4
Connection Method	—	Flare connection
Refrigerant	—	R410A
<b>Dimension/Weight</b>		
Dimension(HxWxD)	mm/inch	710x462x200 28x18-2/8x7-7/8
Net Weight	kg/lbs	18.5/40.8
<b>Other</b>		
Safety Certification	—	ETL

Job Name:		Date:	
System Reference No.:			
Engineer Signature:			

## Outline and Physical Dimensions of GMV-ND12PLS/B1-T(U).

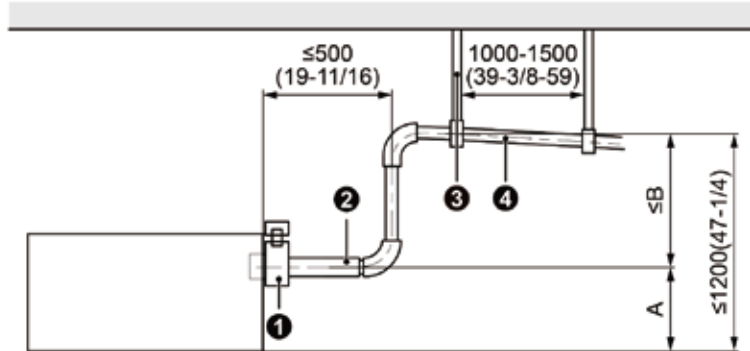


Unit: mm(inch)

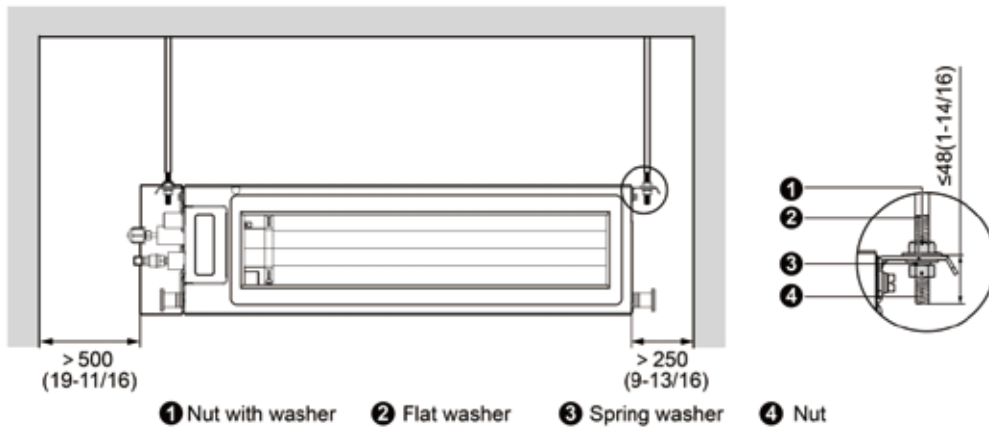
Item Model	A	B	C	D	E	F
GMV-ND12PLS/B1-T(U)	760 (30)	415 (16-3/8)	710 (27-15/16)	200 (7-14/16)	462 (18-3/16)	486 (19-2/16)



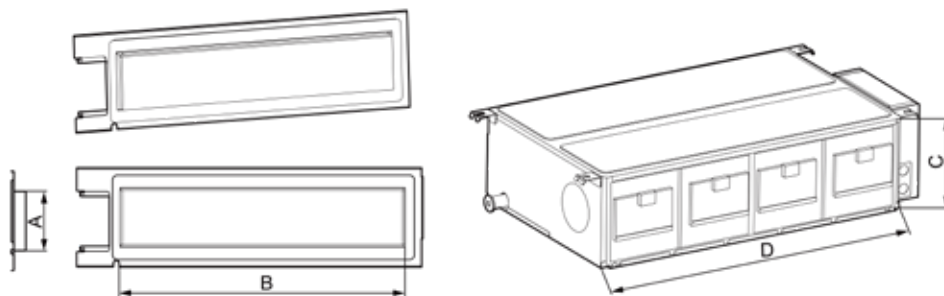
Unit: mm(in.)



- ① Metal clamp
- ② Drain hose (bending is not allowed)
- ③ Hanger bracket
- ④ Drainage pipe



- ① Nut with washer
- ② Flat washer
- ③ Spring washer
- ④ Nut



Model	Item	Dimension of air outlet flange		Dimension of air return	
		A (mm/in.)	B (mm/in.)	C (mm/in.)	D (mm/in.)
	GMV-ND12PLS/B1-T(U)	122(4-3/4)	585(23-1/16)	200(7-14/16)	710(27-15/16)

