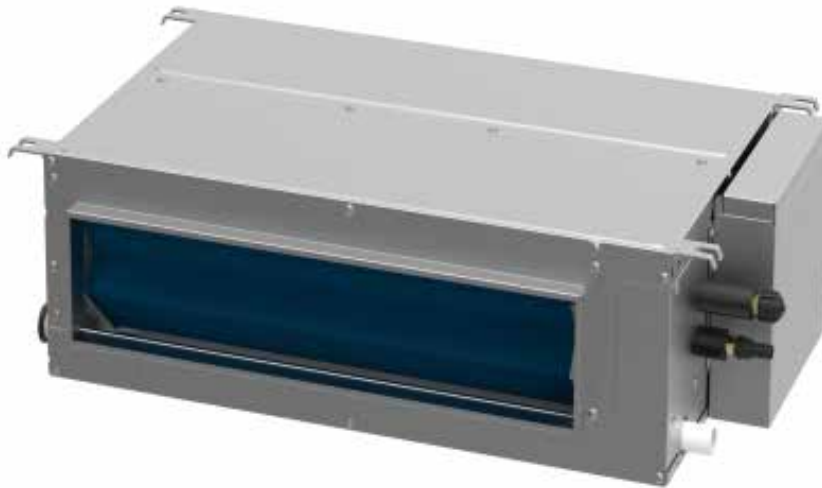


GMV-ND09PLS/B1-T(U)

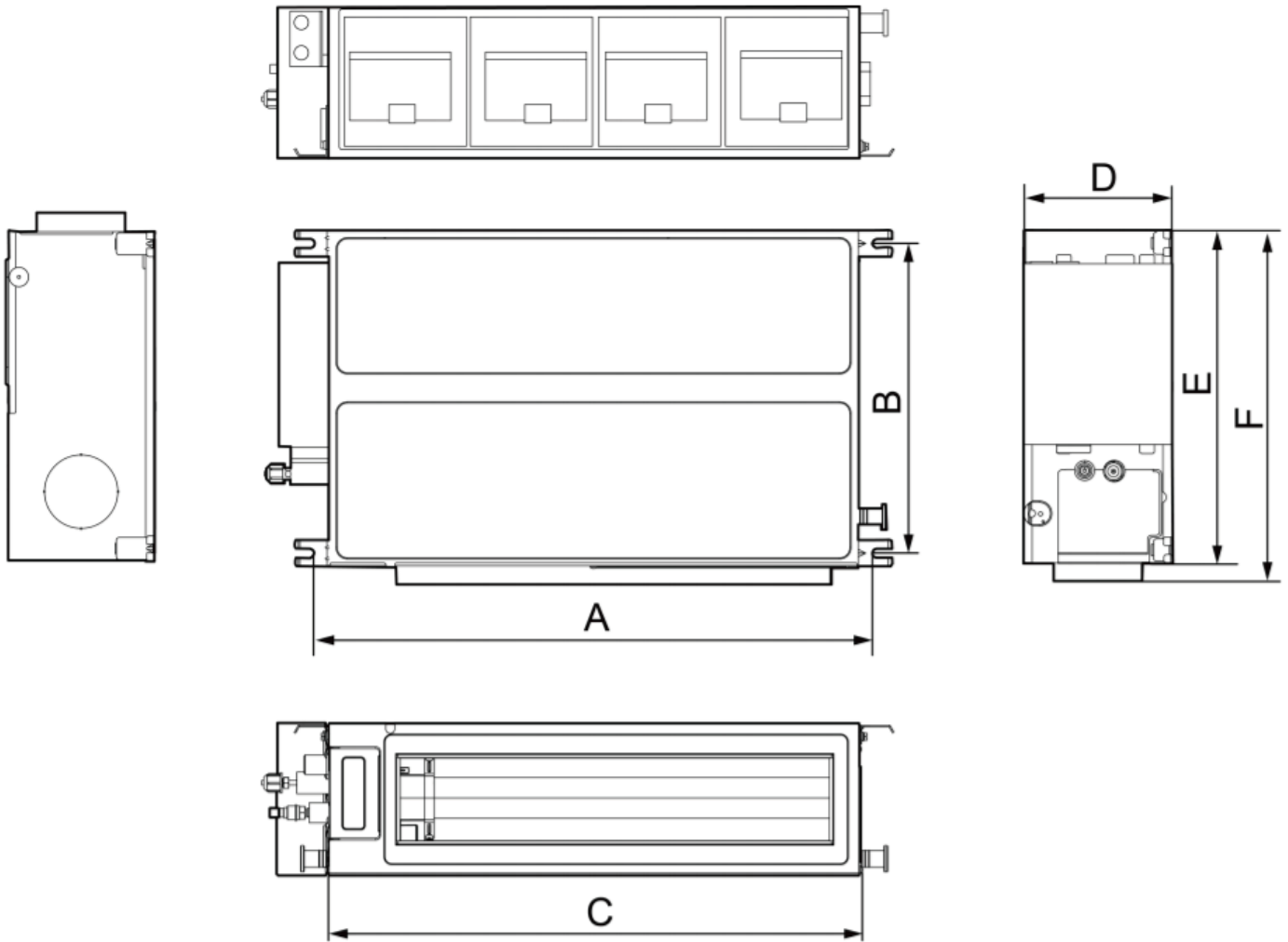
Model: GMV-ND09PLS/B1-T(U)



| Specification | Unit | Parameter |
|--|-----------------|--------------------------------|
| Model | — | GMV-ND09PLS/B1-T(U) |
| Performance | | |
| Rated cooling capacity | kBtu/h | 9.5 |
| Rated heating capacity | kBtu/h | 10.5 |
| Sound pressure level | dB (A) | 22/25/30 |
| Electric data | | |
| Power supply | V Phase Hertz | 208/230-1-60 |
| Maximum Overcurrent Protection (MOP) | A | 15 |
| Minimum Circuit Amps(MCP) | A | 1 |
| Fan | | |
| Air Flow Volume | CFM | 118/206/265 |
| ESP | In.W.G | 0.06/0~0.12 |
| Fan Motor Rnning Current | A | 0.8 |
| Fan Motor Power Output | W | 30 |
| Refrigerant Pipe | | |
| Connection pipe | Gas(mm/inch) | Φ9.52/3/8 |
| | liquid(mm/inch) | Φ6.35/1/4 |
| Connection Method | — | Flare connection |
| Refrigerant | — | R410A |
| Dimension/Weight | | |
| Dimension(HxWxD) | mm/inch | 710x462x200 28x18-2/8x7-7/8 |
| Net Weight | kg/lbs | 18.5/40.8 |
| Other | | |
| Safety Certification | — | ETL |

| | | | |
|-----------------------|--|-------|--|
| Job Name: | | Date: | |
| System Reference No.: | | | |
| Engineer Signature: | | | |

Outline and Physical Dimensions of GMV-ND09PLS/B1-T(U).

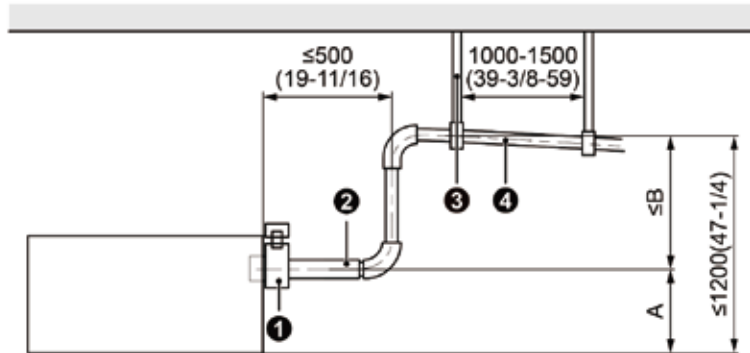


Unit: mm(inch)

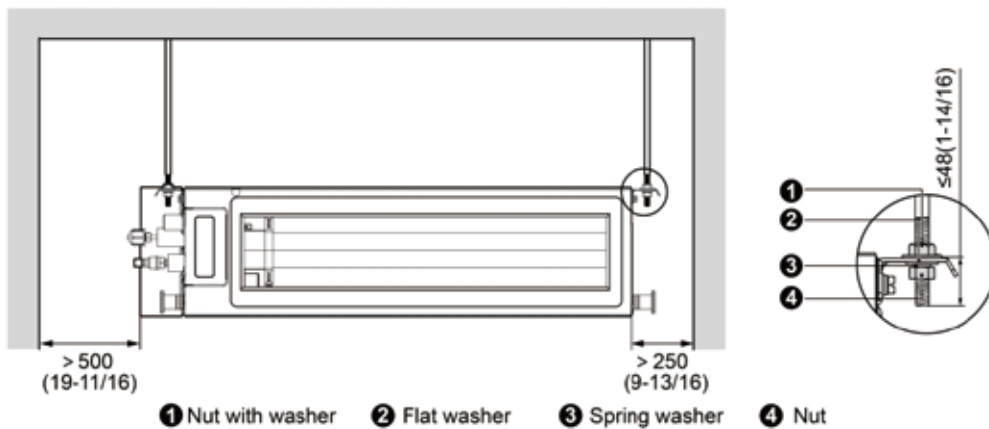
| Item Model | A | B | C | D | E | F |
|---------------------|-------------|-----------------|-------------------|------------------|------------------|------------------|
| GMV-ND09PLS/B1-T(U) | 760 (30) | 415 (16-3/8) | 710 (27-15/16) | 200 (7-14/16) | 462 (18-3/16) | 486 (19-2/16) |



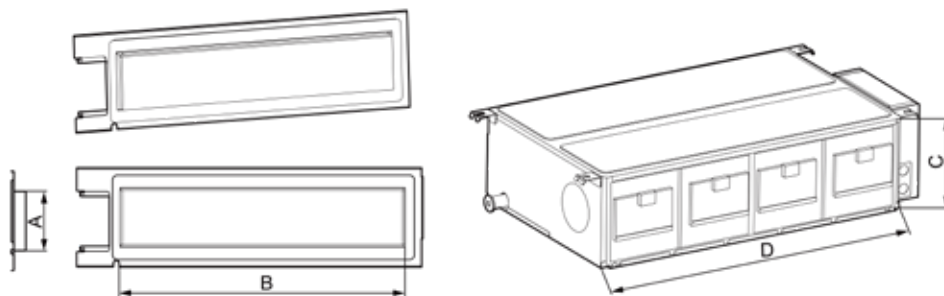
Unit: mm(in.)



- ① Metal clamp
- ② Drain hose (bending is not allowed)
- ③ Hanger bracket
- ④ Drainage pipe



- ① Nut with washer
- ② Flat washer
- ③ Spring washer
- ④ Nut



| Model \ Item | Dimension of air outlet flange | | Dimension of air return | |
|---------------------|--------------------------------|--------------|-------------------------|---------------|
| | A (mm/in.) | B (mm/in.) | C (mm/in.) | D (mm/in.) |
| GMV-ND09PLS/B1-T(U) | 122(4-3/4) | 585(23-1/16) | 200(7-14/16) | 710(27-15/16) |

