

208-230V Water Cooled Heat Recovery

Model:
GMV-WQ96WM/A-F(U)



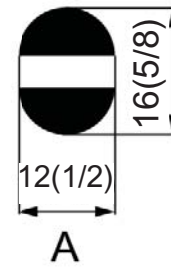
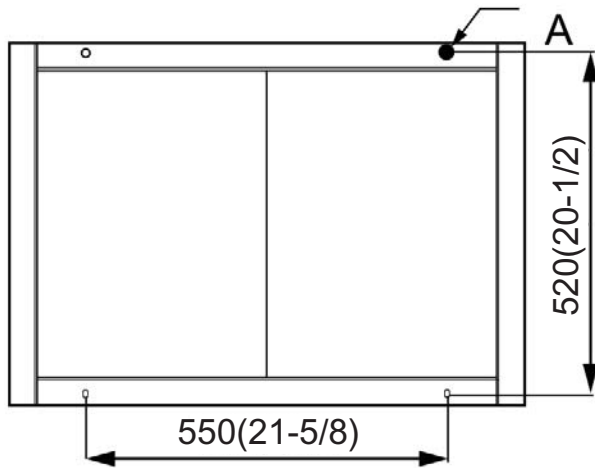
Specifications	Unit	Parameter
Model	—	GMV-WQ96WM/A-F(U)
Performance		
Rated Cooling Capacity (*1)	kBtu/h	96
Rated Heating Capacity (*2)	kBtu/h	108
Power Input	Cooling(kw)	6.85
	Heating(kw)	6.33
Sound Pressure Level	dB(A)	47
Operating Temperature Range	Cooling (Outdoor) °C/°F	10 ~ 50/50 ~ 122
	Heating (Outdoor) °C/°F	10 ~ 50/50 ~ 122
AHRI Ratings(Ducted)		
EER	W/W	14
IEER	—	25
COP	W/W	5
SCHE	—	23
Electrical Data		
Power Supply	V/Ph/Hz	208/230/3/60
Maximum Overcurrent Protection (MOP)	A	45
Minimum Circuit Amps (MCA)	A	35
Compressor		
Compressor Type x Quantity	—	Inverter Scroll x 1
Compressor Refrigerant Oil Type	—	FVC68D
Compressor Refrigerant Oil Charge Volume	L/Gal	1.1/0.29
Refrigerant Piping		
Connection Pipe	High Pressure Gas(mm/inch)	Φ19.05/Φ3/4
	Low Pressure Gas(mm/inch)	Φ22.2/Φ7/8
	Liquid(mm/inch)	Φ9.52/Φ3/8
Max. Equivalent Connection Pipe Length (ODU to IDU)	m/ft	165/541
Refrigerant Charge	kg/oz	6.5/229.3
Refrigerant	—	R410A
Dimension/Weight		
Dimensions (H×W×D)	mm/inch	1000x780x550 (39-3/8x30-3/4x21-5/8)
Net Weight	kg/lbs	170/375
Other		
Indoor Unit	Total Capacity (%)	50%~135%
	Max Connectable Quantity	16
Certification	—	ETL/AHRI
Condenser Fin Color	—	Gold
Protection Devices	High Pressure	High pressure sensor, High pressure switch 601 psi (4.15MPa)
	Inverter Circuit	Over-heat protection, Over-current protection
	Compressor	Discharge temp protection, Over-current protection

*1 Cooling | Indoor: 80°F (26.7°C) DB / 67°F (19°C) WB; Outdoor: 95°F (35°C) DB

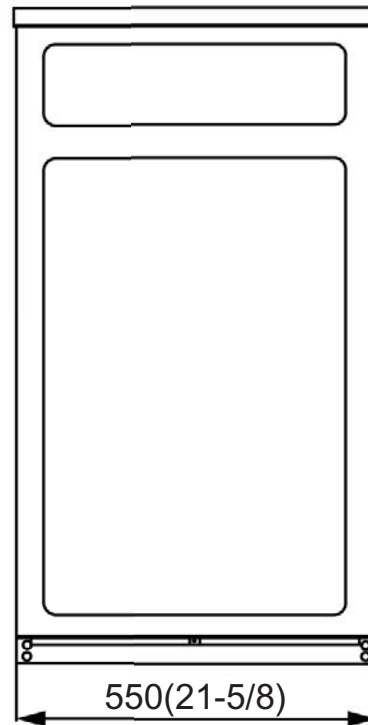
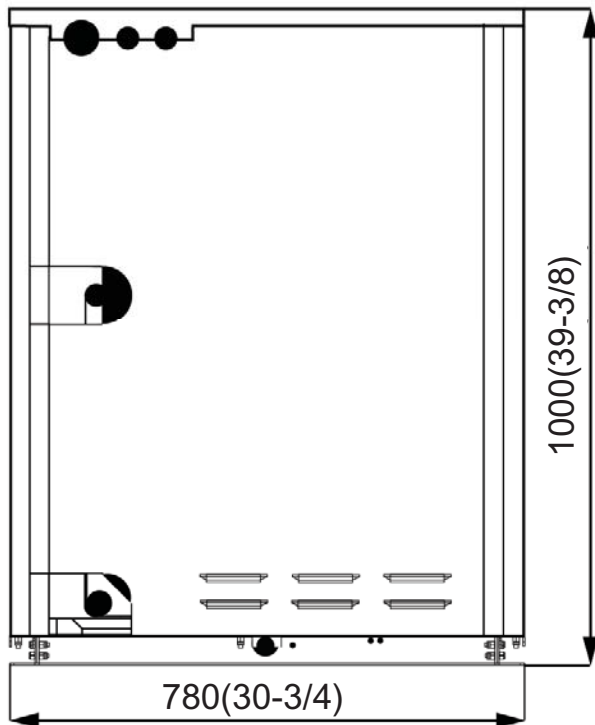
*2 Heating | Indoor: 70°F (21.1°C) DB / Outdoor: 47°F (8.3°C) DB / 43°F (6°C) WB

Job Name:		Date:	
System Reference No.:			
Engineer Signature:			

Outline and Physical Dimensions of GMV-WQ96WM/A-F(U).



Mounting hole drawing



Unit:mm(in.)

