

## 208~230V Floor Ceiling

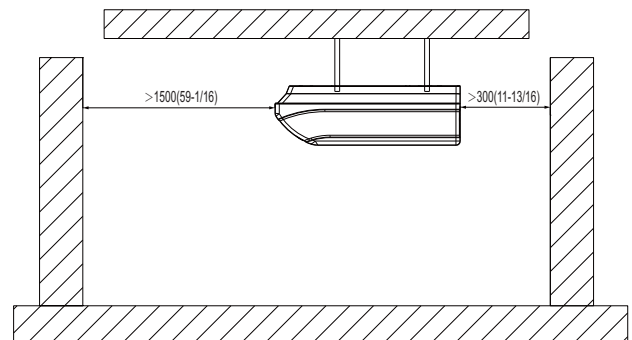
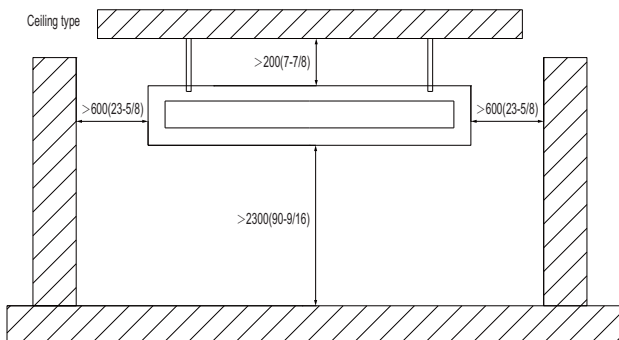
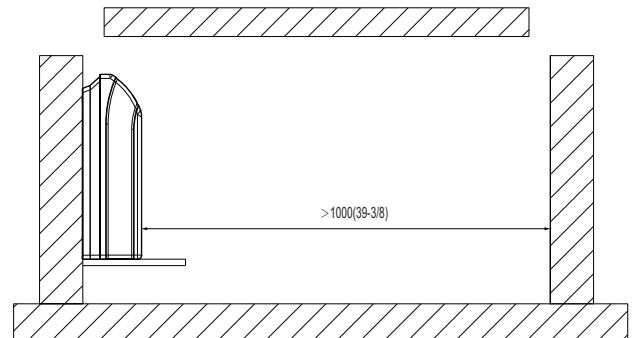
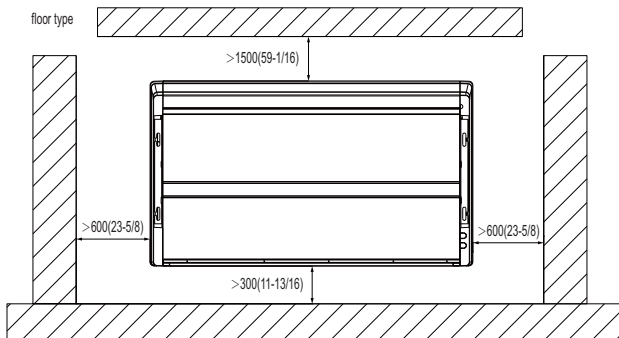
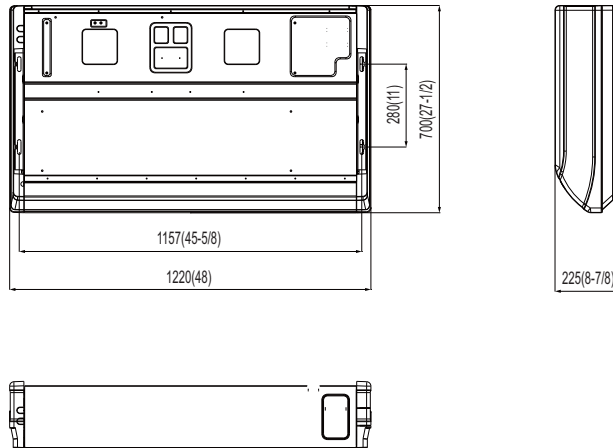
### Model:GMV-ND36ZD/A-T(U)



| Specifications                       | Unit                 | Parameter                                 |
|--------------------------------------|----------------------|---|
| Model                                | —                    | GMV-ND36ZD/A-T(U)                         |
| <b>Performance</b>                   |                      |   |
| Rated Cooling Capacity               | kBtu/h               | 36  |
| Rated Heating Capacity               | kBtu/h               | 40  |
| Sound Pressure Level                 | dB(A)                | 42/46/51                                  |
| <b>Electrical Data</b>               |                      |   |
| Power Supply                         | Voltage,Phase, Hertz | 208/230,1,60                              |
| Maximum Overcurrent Protection (MOP) | A                    | 15  |
| Minimum Circuit Amps (MCA)           | A                    | 1   |
| <b>Fan</b>                           |                      |   |
| Type x Quantity                      | —                    | Centrifugal×4                             |
| Air Flow Volume                      | CFM                  | 755/904/1180                              |
| Fan Motor Running Current            | A                    | 0.7                                       |
| Fan Motor Power Output               | W                    | 250                                       |
| <b>Refrigerant Piping</b>            |                      |   |
| Connection Pipe                      | Gas(mm/inch)         | Φ15.9/Φ5/8                                |
|                                      | Liquid(mm/inch)      | Φ9.52/Φ3/8                                |
| Connection method                    | —                    | Flare Connection                          |
| Refrigerant                          | —                    | R410A                                     |
| <b>Dimension/Weight</b>              |                      |   |
| Dimensions (H×W×D)                   | mm/inch              | 245×1700×700/<br>(9-5/8×66-15/16×27-9/16) |
| Net Weight                           | kg/lbs               | 60/132                                    |
| <b>Other</b>                         |                      |   |
| Safety Certification                 | —                    | ETL                                       |

|                       |  |       |  |
|-----------------------|--|-------|--|
| Job Name:             |  | Date: |  |
| System Reference No.: |  |       |  |
| Engineer Signature:   |  |       |  |

### Outline and Physical Dimensions of GMV-ND36ZD/A-T(U).



Unit:mm(in.)

