

208~230V Wall-Mounted Lomo

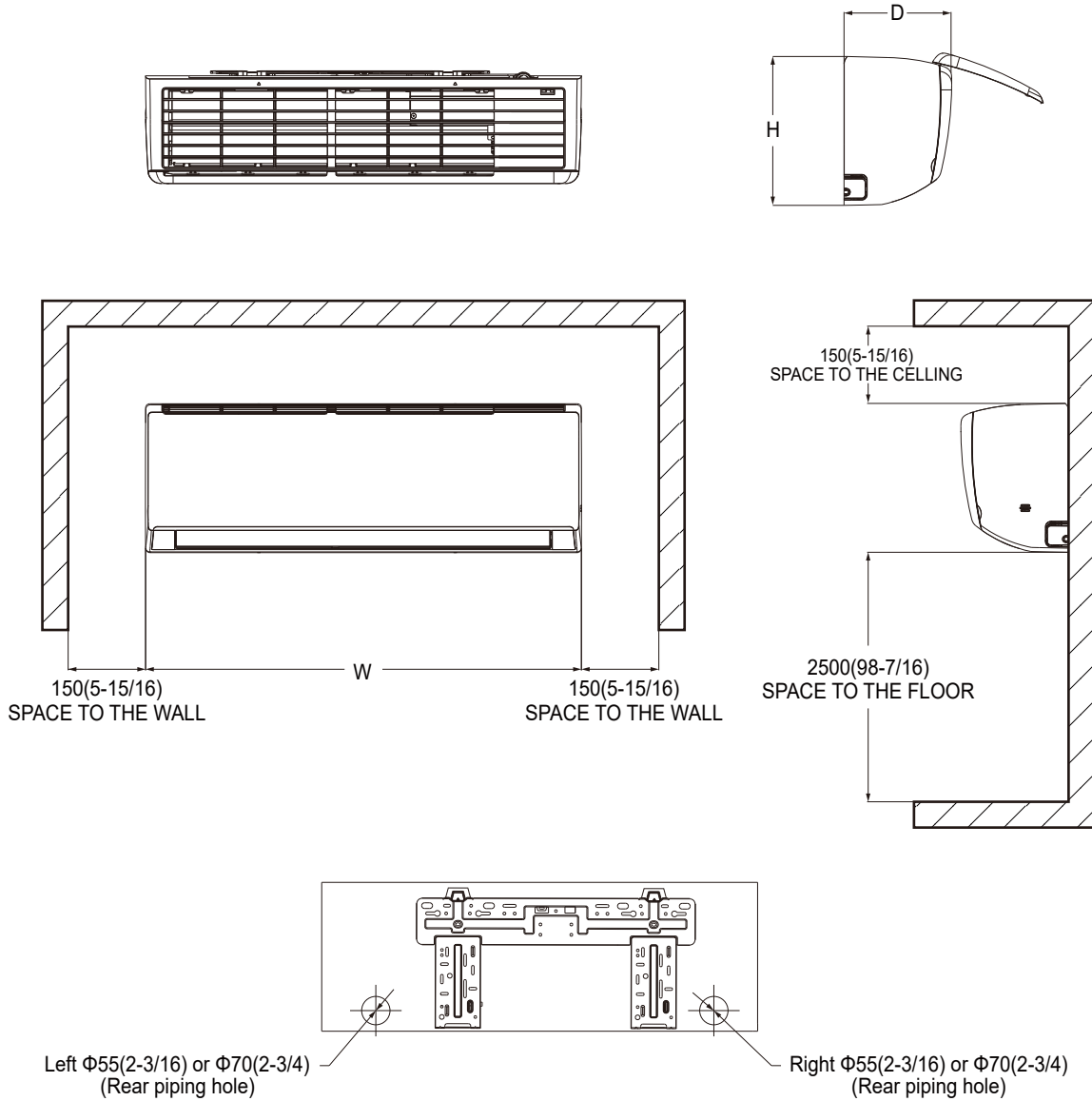
Model:GMV-ND12G/B4B-T(U)



Specifications	Unit	Parameter
Model	—	GMV-ND12G/B4B-T(U)
Performance		
Rated Cooling Capacity	kBtu/h	12
Rated Heating Capacity	kBtu/h	13.5
Sound Pressure Level	dB(A)	31/35/38
Electrical Data		
Power Supply	Voltage,Phase, Hertz	208/230,1,60
Maximum Overcurrent Protection (MOP)	A	15
Minimum Circuit Amps (MCA)	A	1
Fan		
Type x Quantity	—	Cross-flow×1
Air Flow Volume	CFM	188/271/371
Fan Motor Running Current	A	0.096
Fan Motor Power Output	W	20
Refrigerant Piping		
Connection Pipe	Gas(mm/inch)	Φ12.7/Φ1/2
	Liquid(mm/inch)	Φ6.35/Φ1/4
Connection method	—	Flare Connection
Refrigerant	—	R410A
Dimension/Weight		
Dimensions (H×W×D)	mm/inch	289×845×209/ (11-3/8×33-1/4×8-1/4)
Net Weight	kg/lbs	10.5/23.5
Other		
Safety Certification	—	ETL

Job Name:		Date:	
System Reference No.:			
Engineer Signature:			

Outline and Physical Dimensions of GMV-ND12G/B4B-T(U) .



Model	Item	W	H	D
GMV-ND12G/B4B-T(U)		845(33-1/4)	289(11-3/8)	209(8-1/4)

Unit:mm(in.)

