

## 208~230V Wall-Mounted-Cozy

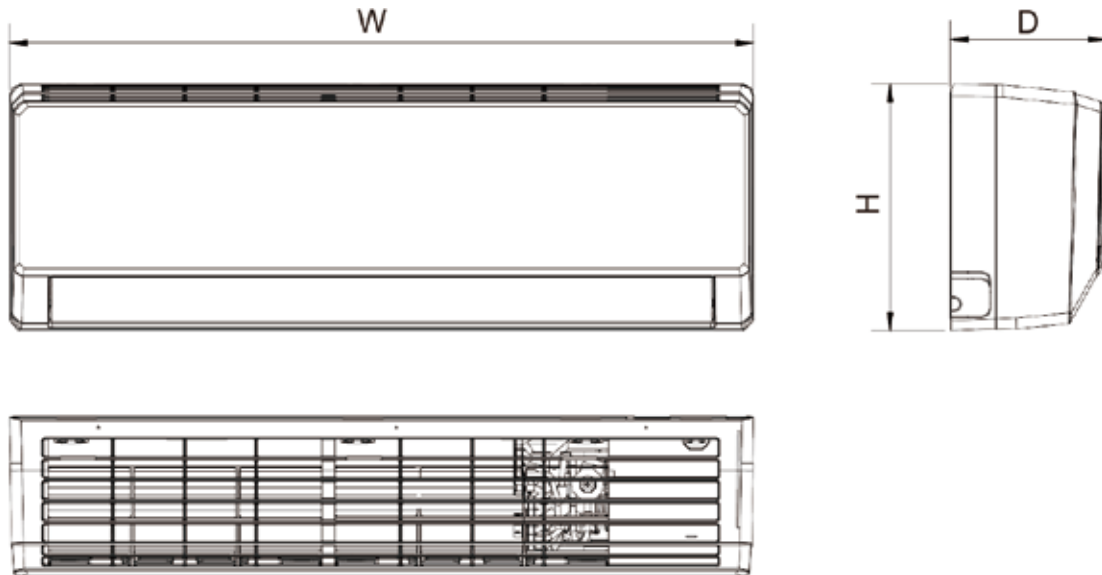
### Model:GMV-N24G/A3A-D(U)



Specifications	Unit	Parameter
Model	—	GMV-N24G/A3A-D(U)
<b>Performance</b>		
Rated Cooling Capacity	kBtu/h	24
Rated Heating Capacity	kBtu/h	25.5
Sound Pressure Level	dB(A)	38/41/44
<b>Electrical Data</b>		
Power Supply	Voltage,Phase, Hertz	208/230,1,60
Maximum Overcurrent Protection (MOP)	A	15
Minimum Circuit Amps (MCA)	A	1
<b>Fan</b>		
Type x Quantity	—	Cross-flow×1
Air Flow Volume	CFM	294/353/440
Fan Motor Running Current	A	0.31
Fan Motor Power Output	W	35
<b>Refrigerant Piping</b>		
Connection Pipe	Gas(mm/inch)	Φ15.9/Φ5/8
	Liquid(mm/inch)	Φ9.52/Φ3/8
Connection method	—	Flare Connection
Refrigerant	—	R410A
<b>Dimension/Weight</b>		
Dimensions (H×W×D)	mm/inch	289×845×209 (12-9/16×39-11/16×8-11/16)
Net Weight	kg/lbs	15/33.1
<b>Other</b>		
Safety Certification	—	ETL

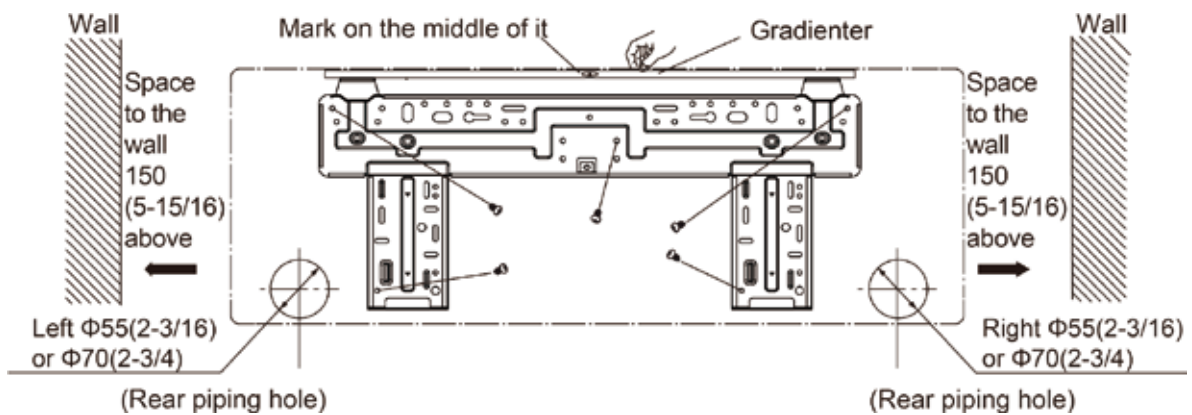
Job Name:		Date:	
System Reference No.:			
Engineer Signature:			

## Outline and Physical Dimensions of GMV-N24G/A3A-D(U).



Item	W	H	D
Model			
GMV-N24G/A3A-D(J)	1008(39-11/16)	319(12-9/16)	221(8-11/16)

## The Installation of the Rear Panel



Unit:mm(in.)

